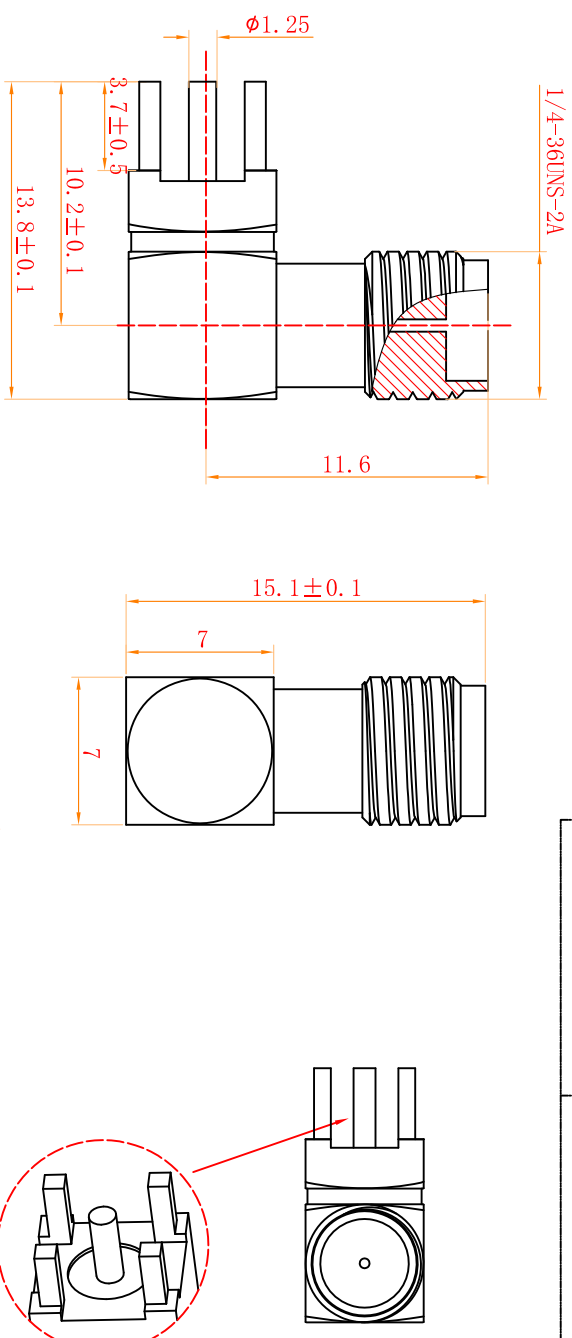
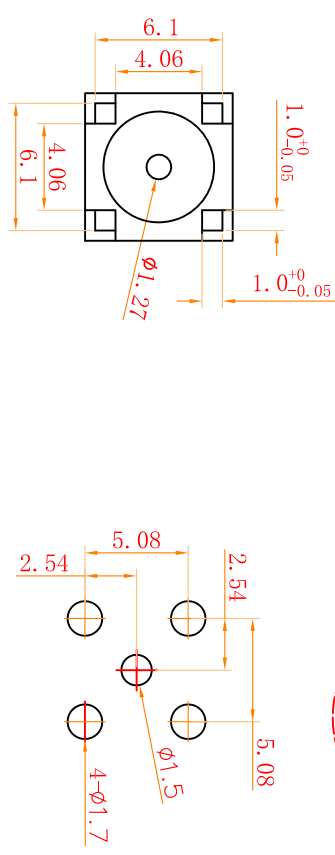


# DRAWING

Product Type P/N:AC-SMAF-W15  
Connector -PCB



1. MATERIALS AND FINISHES :  
 PLATING THICKNESS IN MICRO-INCHES  
 BODY -BRASS,GOLD PLATING.  
 CONTACT PIN-BERYLLIUM COPPER,GOLD PLATING  
 INSULATOR - PTFE,MATERIAL.  
 2.IMPEDANCE:50OHM.  
 3.DIELECTRIC WITHSTANDING VOLTAGE:1000 VRMS ,MIN.  
 4.DURABILITY:500 CYCLES MIN.  
 5.TEMPERATURE RANGE:-65°C TO +165°C  
 6.VOLTAGE 35V .



## PCB MOUNTING HOLES

Asian Creation  
**ASIAN CREATION COMMUNICATION CO.,LTD**  
[www.acantenna.com](http://www.acantenna.com)

Technology : RoHS.

3										
2			P/No :	AC-SMAF-W15(1)	Qty	1PCS	DR		GTZ	
1					Wet	9g	VENDER		BEN	
			SPEC:		REV	A	CHKD		BEN	
NO.	PARTNAME	DESCRIPTION	DWG NO.	1/1	SHEET	MM	投影法	MM	DAY	2022-2-25