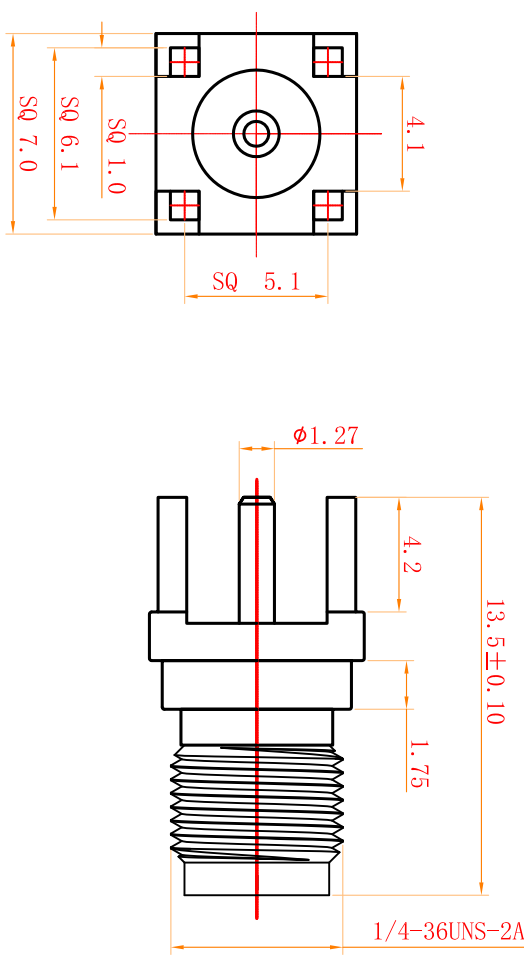
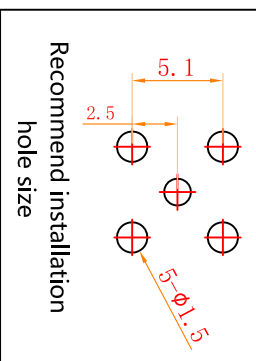


Drawing

Product Type P/N:AC-SMAFJ-
Connector PCB/135



- 1.Material:Brass.
- 2.Finish:Gold.
- 3.Impedance:50ohm.
- 4.Fre:0-6G.
- 5.Weight:8g.
- 6.Connector:SMA F.
- 7.Temperature:-65~165°.
- 8.VOLTAGE 35V .



Technology : RoHS

 ASIAN CREATION COMMUNICATION CO.,LTD
www.acantenna.com

3										
2		STANDARD	P/No:	AC-SMAFJ-L135	Qty	1PCS	DR.	YJP		
1			SPEC		Wet	8g	VENDER	VIVIS		
		MATERIAL	DWG NO.		REV	A	CHKD	BEN		
NO.	PARTNAME	DESCRIPTION	SHEET	1/1	UNIT	MM	投影法	DAY	2022-2-25	