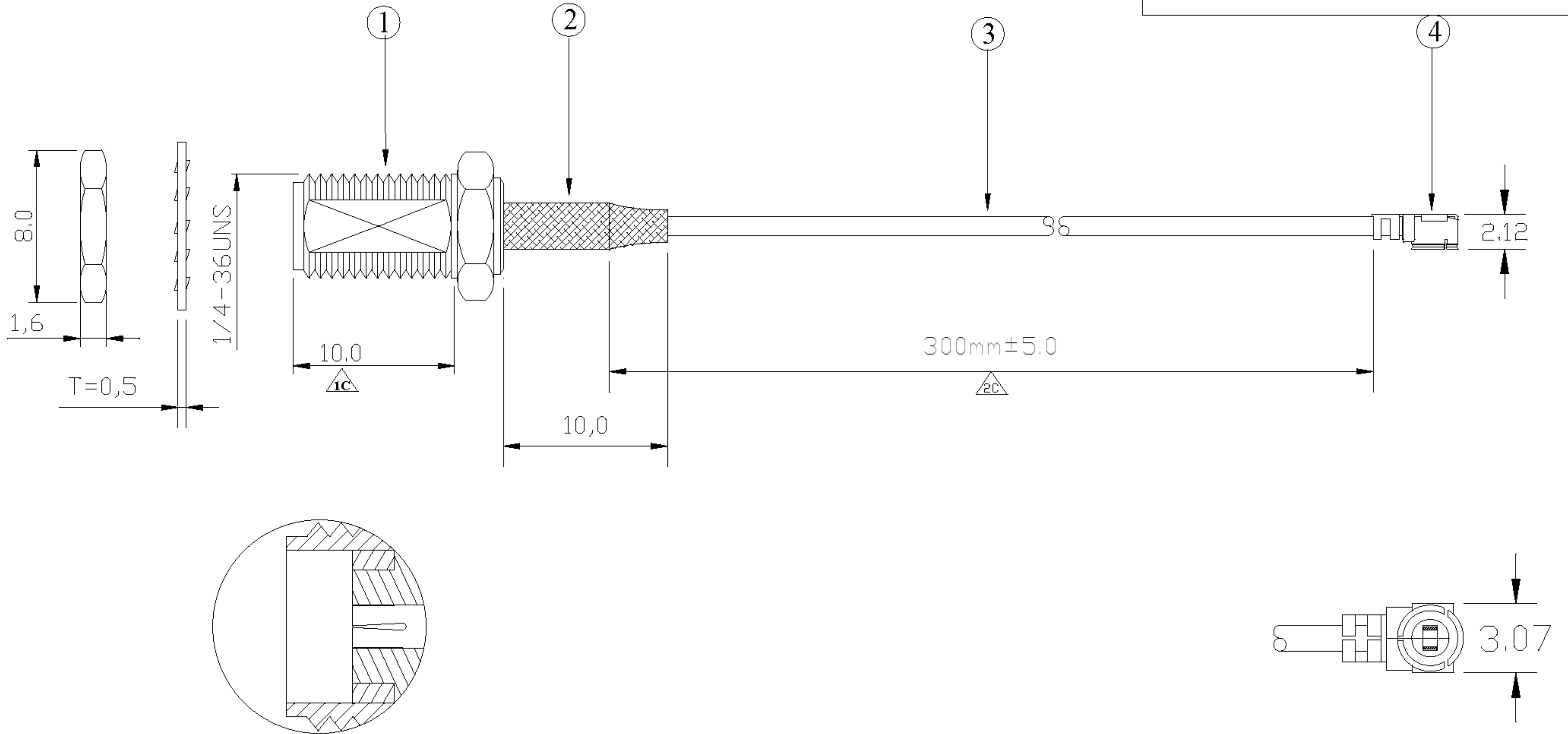


SMA Female to U,FL for $\phi 1.13$ CABLE

RoHS COMPLIANT



* 標註 $\triangle c$ 為品保檢驗尺寸 * Current: 30V

| | |
|----|---|
| 1 | SMA Female for $\phi 1.13$ CABLE |
| 2 | HEAT SHRINK THBE $\phi 3.0$ |
| 3 | Standard Coaxial Cable $\phi 1.13$ cable 灰色 |
| 4 | U,FL Compatible Connector for $\phi 1.13$ CABLE |
| NO | Description |

| | | | |
|--------------------|---------|---|---|
| 設計DR. shuhong | 核准APPD. | 容許公差 TOLERANCE .XXX ± 0.10 .XX ± 0.25 .X ± 0.38 X ± 0.50 ANG $\pm 3^\circ$ | 品名 ARTICLE SMA F/S to U,FL for $\phi 1.13$ Cable |
| 版本說明 REVISION NOTE | | | 圖號 DWG NO. 6303010204-300 |
| | | | 單位 UNIT mm |
| | | | 比例 SCALE 張數 SHEET 1/1 版本 REV. A |