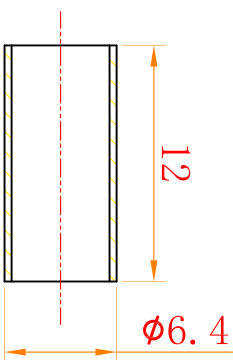
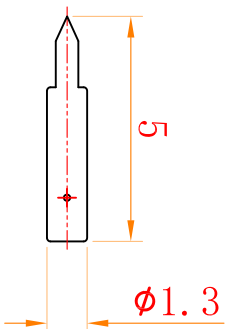
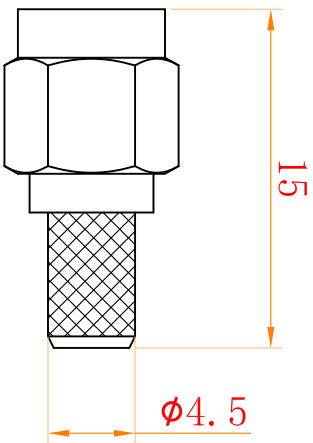


Drawing

Product Type P/N:AC-SMAM
CONNECTOR -J-58U

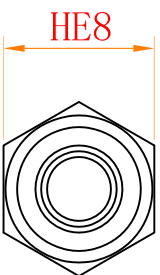
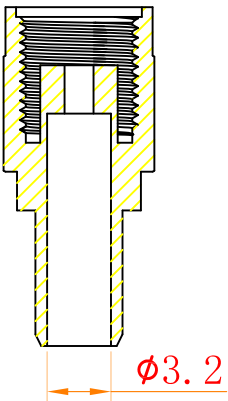


针(镀金)

铜管(镀镍)

AC-SMAM-J-58U

1. Material: Brass.
2. Finish: Gold.
3. Impedance: 50ohm.
4. Temperature range: -55 ~ +155 °C.
5. Fre: 0-3G.
6. Weight: 5g.
7. VSWR : ≤ 1.15
8. Durability(mating) : ≥ 500 (cycles)
9. Working Voltage: 30V



technology : RoHs



ASIAN CREATION COMMUNICATION CO.,LTD
www.acantenna.com

3																			
2		STANDARD	P/No:	AC-SMAM-J-58U	Qty	1PCS	DR.	YJP											
1			SPEC		Wet	5g	VENDER	VIVIS											
NO.	PARTNAME	DESCRIPTION	MATERIAL	DWG NO.	SHEET	1/1	UNIT	MM	投影法	DAY	2015/01/06								