

SPECIFICATION FOR APPROVAL

CUSTOMER _____

DESCRIPTION 850/900/1800/1900MHz GSM PCB Antenna w/ OD1.13 100mm ipex

PART NO. R16-FL-100-IPEX

DATE _____

DESIGNER		DIRECTOR	
-----------------	--	-----------------	--

Approved by Customer/date:

ANTENNA SPECIFICATIONS FOR APPROVAL

1 GENERAL DESCRIPTION

- 1.1 Type No. : R16-FL-100-IPEX
1.2 Customer P/N :

2 DESCRIPTION & APPLICATION

This antenna assembly is designed for use in 850/900/1800/1900MHz Antennas

3 ELECTRICAL CHARACTERISTICS

3.1 Antenna type:	PCB Antenna
3.2 Frequency Rang:	850/900/1800/1900MHz
3.3 V.S.W.R:	3.2 MAX
3.4 Impedance:	50 OHM
3.5 Type of Radiation:	0 mmi
3.6 Electrical Wave:	1/2
3.7 Gain:	< 0 dBi
3.8 Connector:	iPex
3.9 Size:	35x6mm
3.10 Cable	OD1.13 100mm

4 ENVIRONMENTAL CHARACTERISTICS

- 4.1 Operating temperature range -40°C to + 70°C

5 QUALIFICATION TESTING

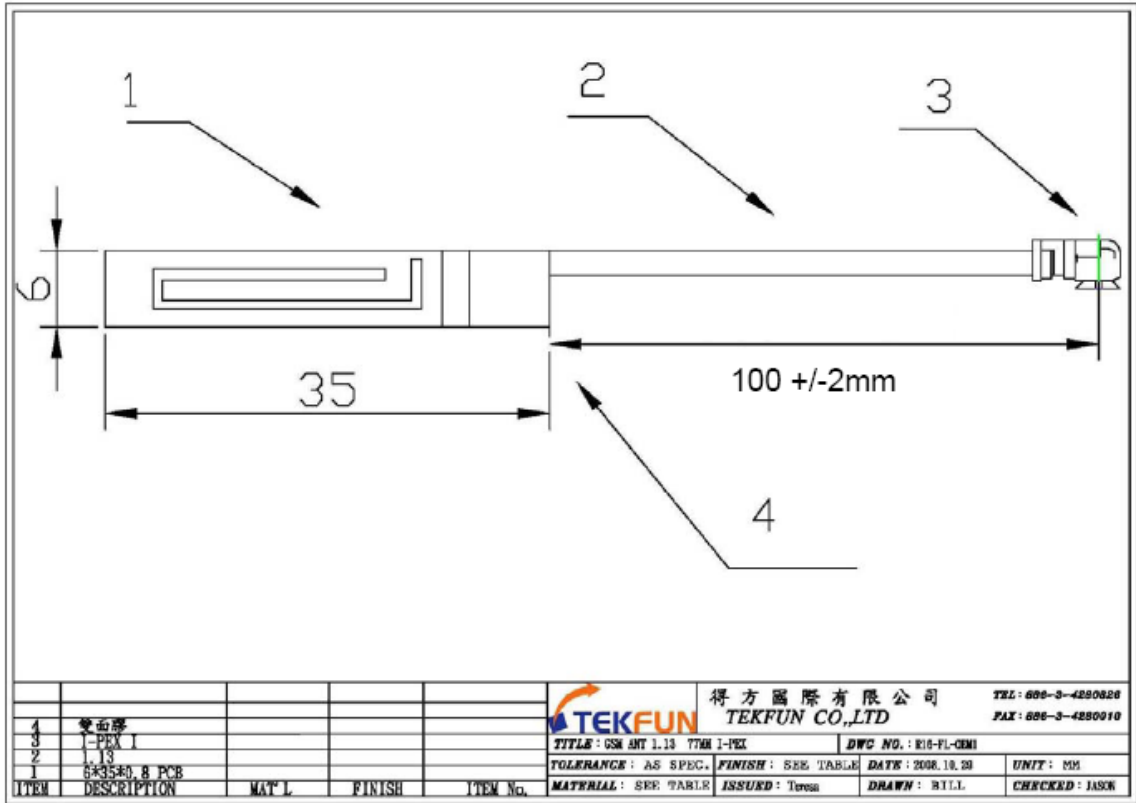
- 5.1 All products shall be able to withstand the following testing.
5.2 Physical dimensions identified within this specification.

6 PACKING STYLE

- 6.1 Packing: Poly Bag.

ANTENNA SPECIFICATIONS FOR APPROVAL

7 Drawing



ANTENNA SPECIFICATIONS FOR APPROVAL

8 TEST-VSWR

