

SPECIFICATION FOR APPROVAL

CUSTOMER _____

DESCRIPTION 433MHz Rubber Stubby Antenna with SMA Male Straight

PART NO. D28-SS

DATE _____

DESIGNER		DIRECTOR	
-----------------	--	-----------------	--

Approved by Customer/date:

ANTENNA SPECIFICATIONS FOR APPROVAL

1. GENERAL DESCRIPTION

- 1.1 Type No. : D28-SS
1.2 Customer P/N :

2. DESCRIPTION & APPLICATION

433MHz Rubber Stubby Antenna with SMA Male Straight

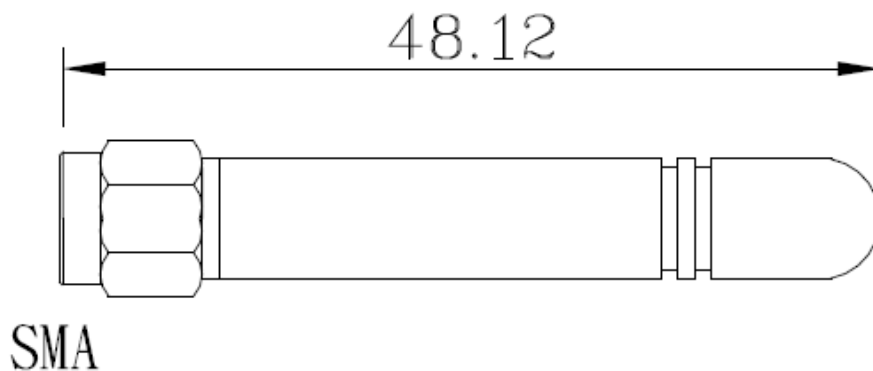
3. ELECTRICAL CHARACTERISTICS

- 3.1 Frequency Range : 433MHz
3.2 Electric Wave : 1/4, Monopole Antenna
3.3 V.S.W.R : < 2
3.4 Impedance : 50 Ω , Nominal
3.5 Gain : < 0dBi
3.6 Connector : SMA Male Straight

4. PACKING STYLE

Poly Bag

5. APPEARANCE DRAWING

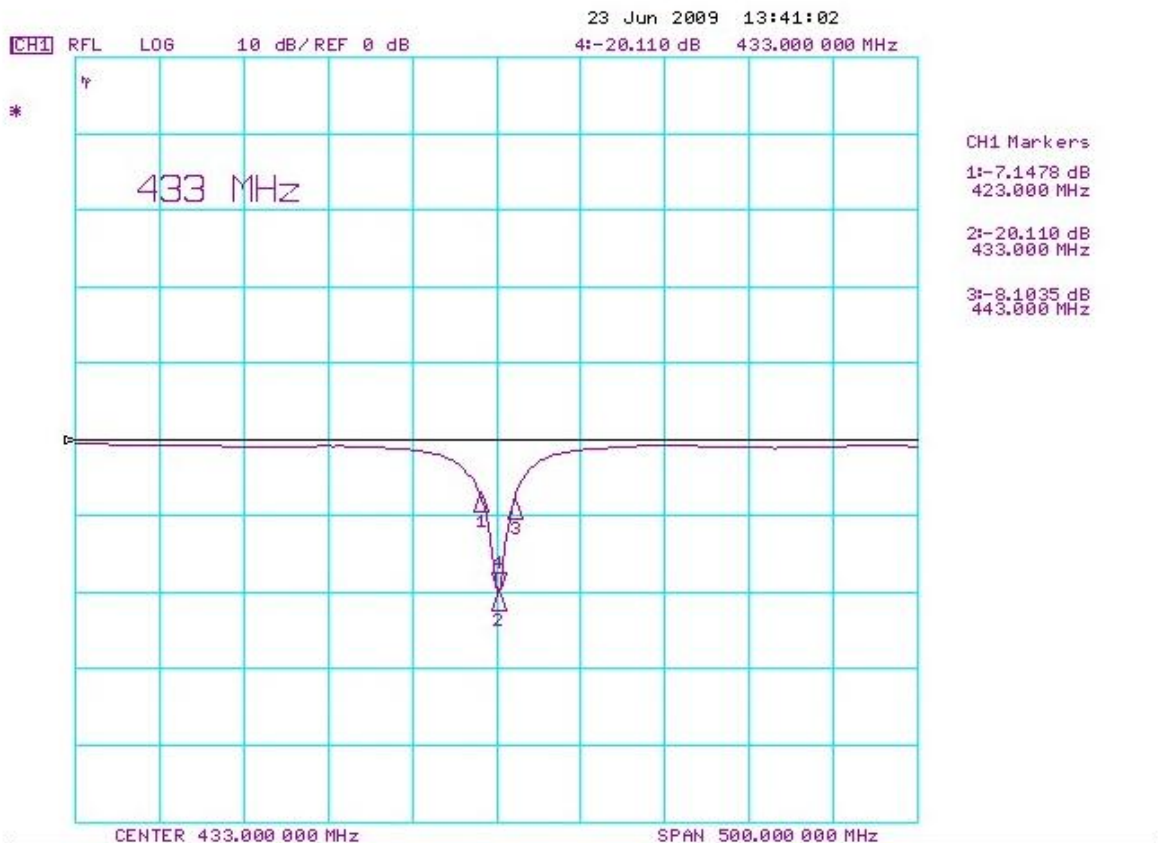


6. TESTING

VSWR



RETURN LOSS



7. PHOTO

D28-SS: The right one in the picture

