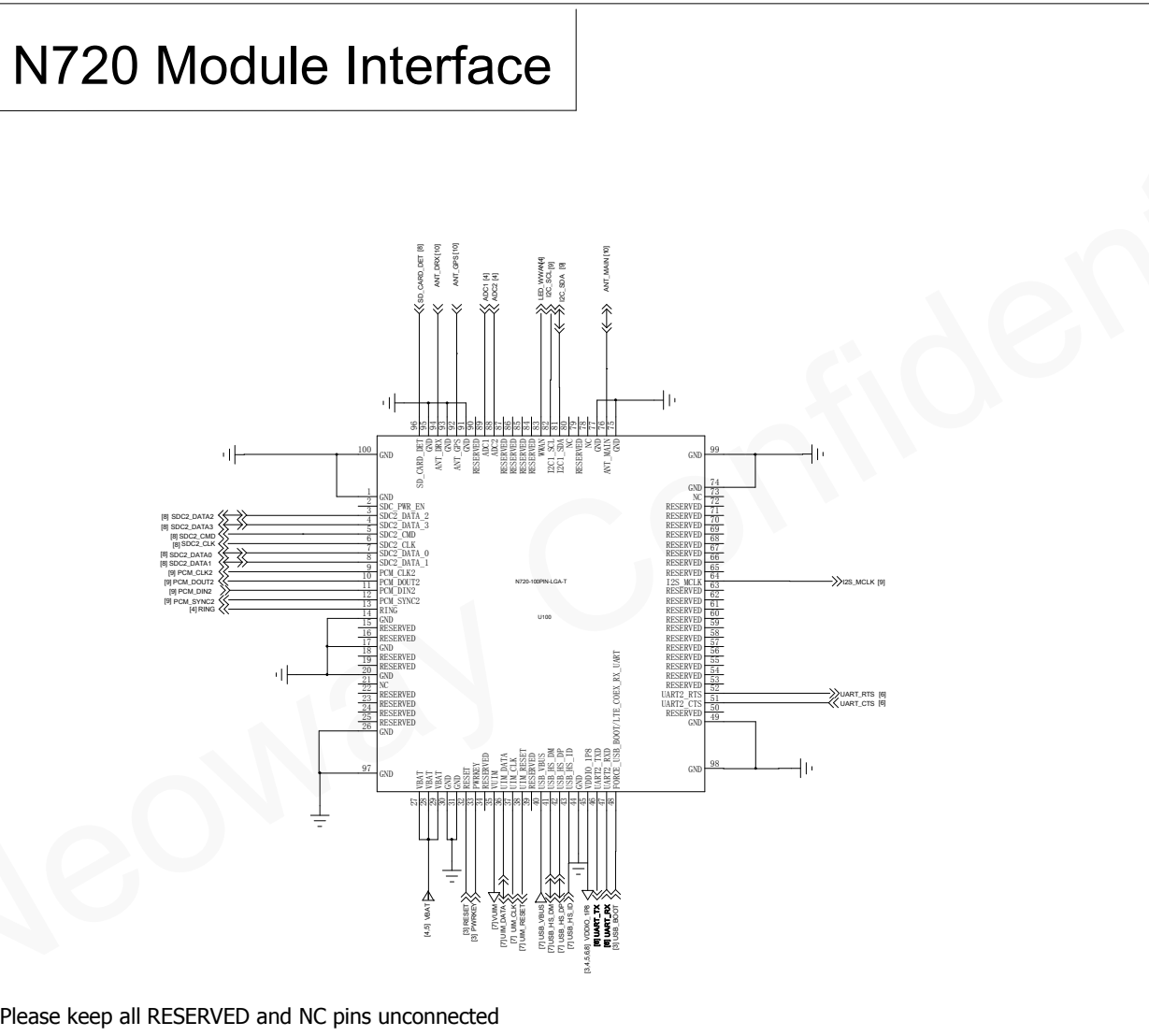


REVISION HISTORY

REVISION	DESCRIPTION OF CHANGE	DATE
A	INITIAL	20170509

Neoway Confidential

REVISION RECORD			
LTR	ECO NO:	APPROVED:	DATE:



Please keep all RESERVED and NC pins unconnected

COMPANY: Neoway				
TITLE: N720 Reference Design				
DRAWN: HeKun	DATED: 20170509	CODE:	SIZE: A2	REV: A
CHECKED:	DATED:	DRAWING NO:	V1.0	
QUALITY CONTROL:	DATED:			
RELEASED:	DATED:	SCALE:	SHEET: 2 OF 10	

DRAWN: HeKun	DATED: 20170509
CHECKED:	DATED:
QUALITY CONTROL:	DATED:
RELEASED:	DATED:

REVISION RECORD			
LTR	ECO NO:	APPROVED:	DATE:

ON/OFF

Power ON by switch

Power ON by automatically

Power ON by external MCU, high level enable

Three reference designs for ON/OFF

RESET

Reset by switch

Reset by external MCU, high level enable

If MCU_VIO>1.8V, please connect VB to VDDIO_1P8
If MCU_VIO<1.8V, please connect VB to MCU_VIO

Reset by external MCU, low level enable

Three reference designs for reset

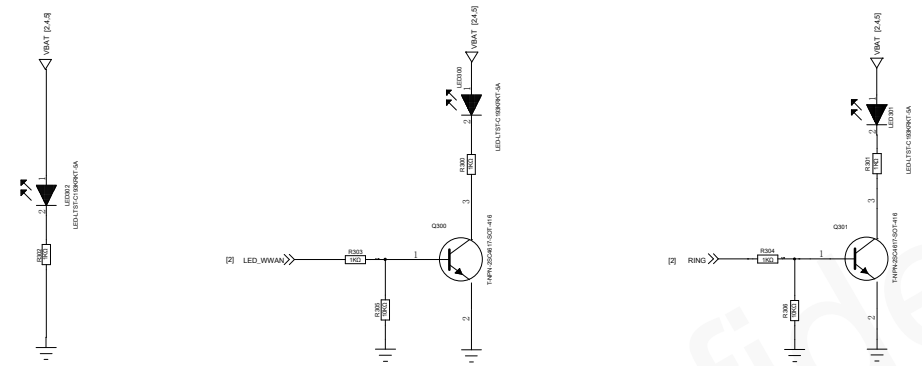
FORCE_BOOT

COMPANY: Neoway			
TITLE: N720 Reference Design			
CODE:	SIZE: A2	DRAWING NO: V1.0	REV: A
SCALE:		SHEET: 3 of 10	

DRAWN: HeKun	DATED: 20170509
CHECKED:	DATED:
QUALITY CONTROL:	DATED:
RELEASED:	DATED:

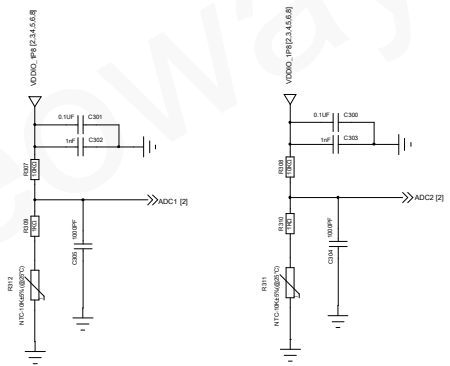
REVISION RECORD			
LTR	ECO NO:	APPROVED:	DATE:

LED



General purpose BJT is recommended for driving LED

ADC

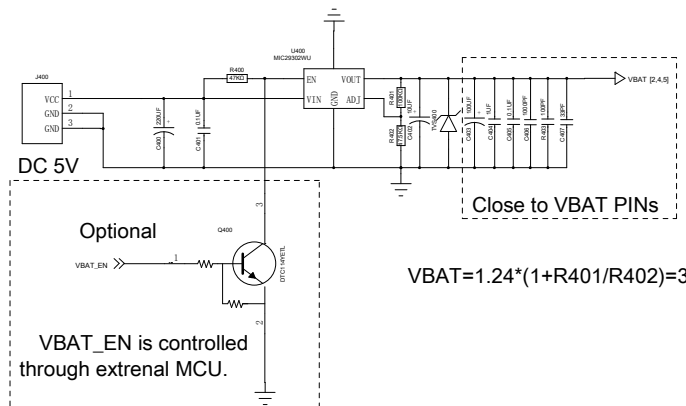


Reference for thermistor

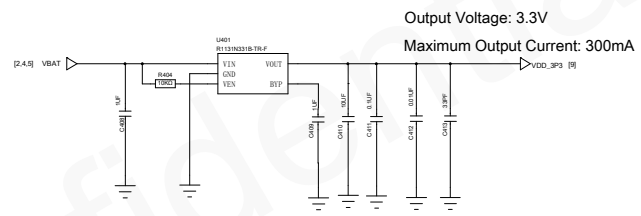
COMPANY: Neoway			
TITLE: N720 Reference Design			
DRAWN: HeKun	DATED: 20170509	CODE:	SIZE: A2
CHECKED:	DATED:	DRAWING NO:	REV: A
QUALITY CONTROL:	DATED:	V1.0	
RELEASED:	DATED:	SCALE:	SHEET: 4 OF 10

REVISION RECORD			
LTR	ECO NO:	APPROVED:	DATE:

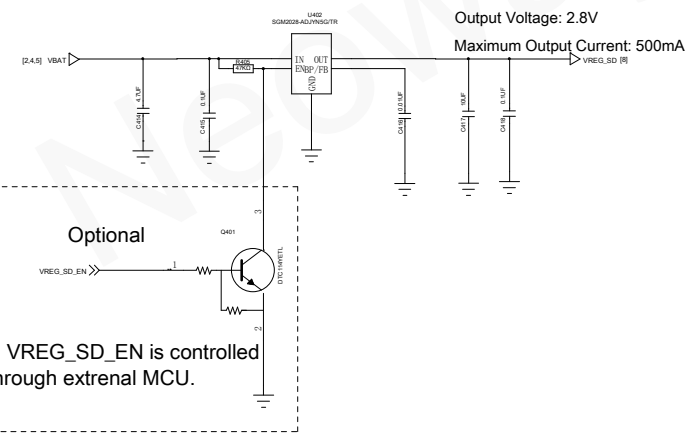
VBAT



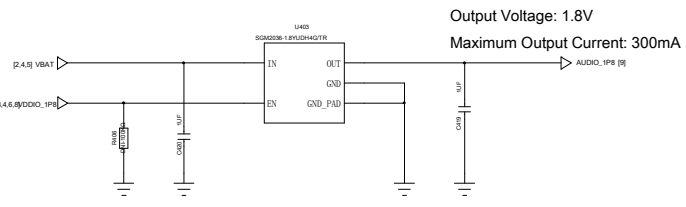
3.3V LDO



2.8V LDO

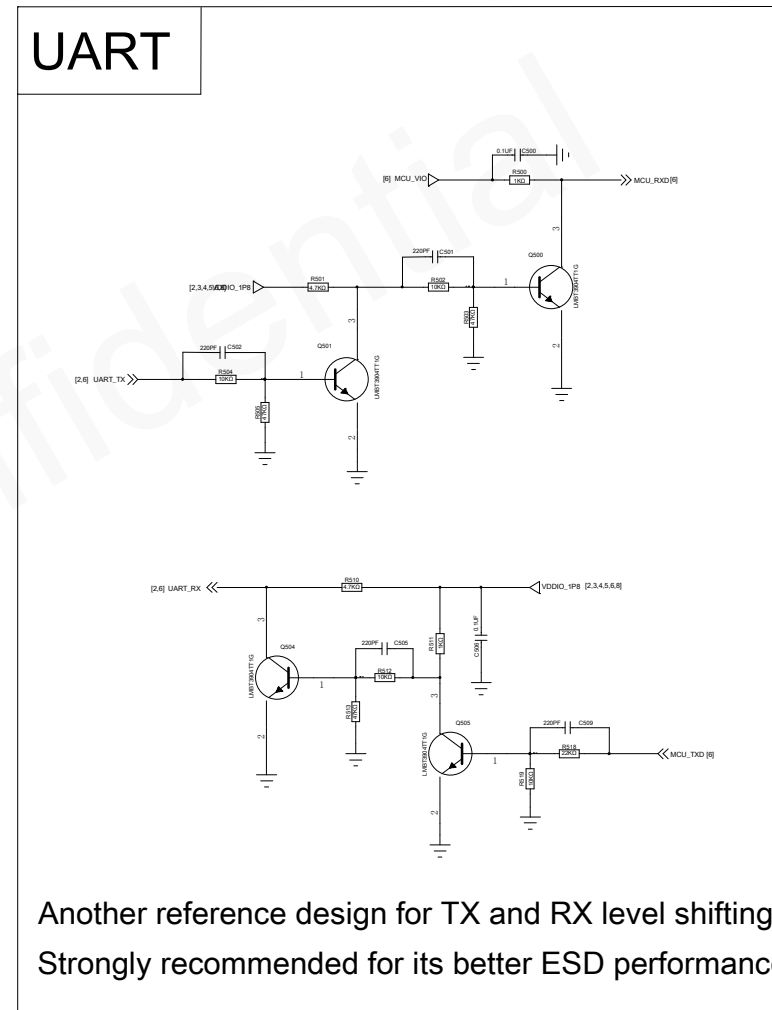
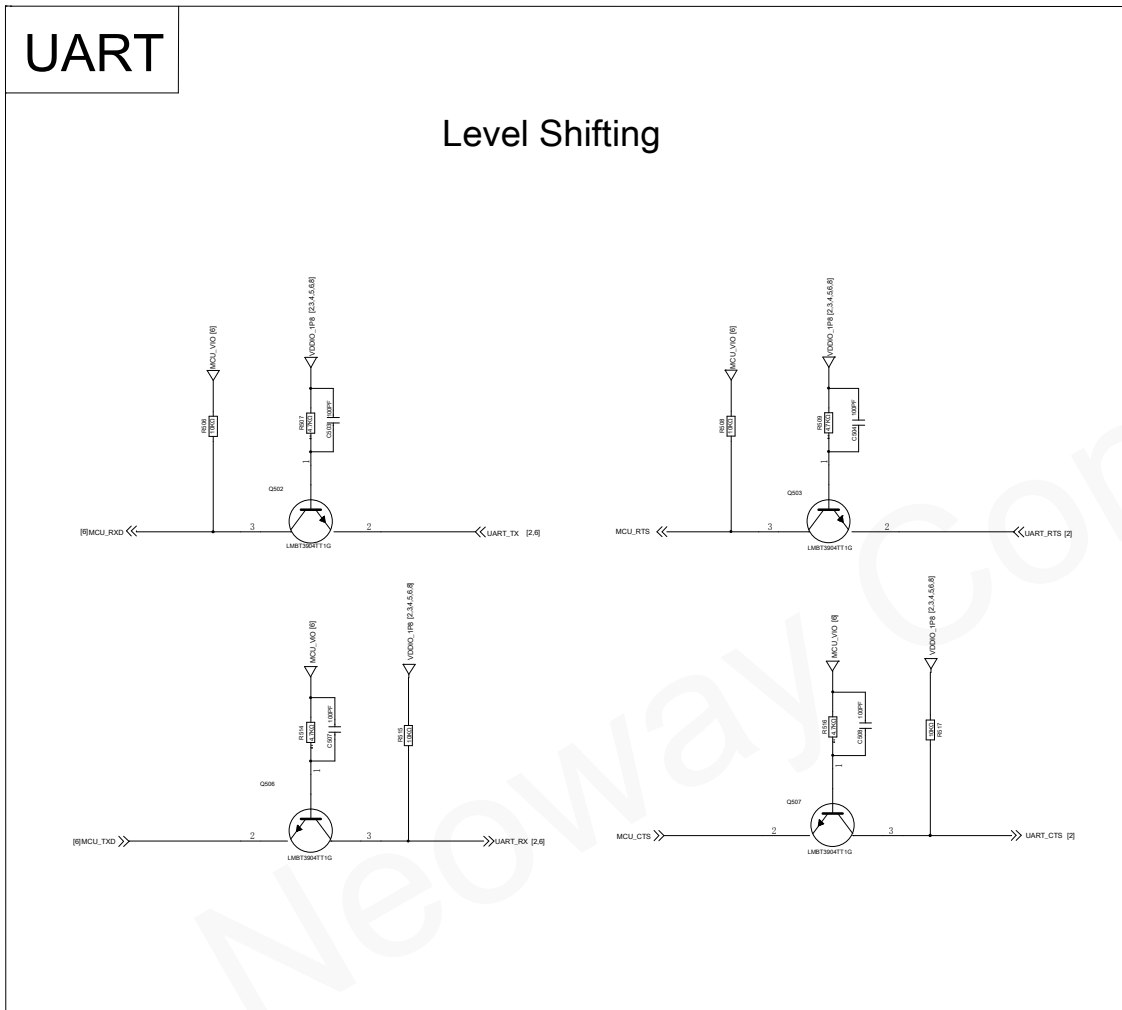


1.8V LDO



COMPANY: Neoway			
TITLE: N720 Reference Design			
DRAWN: HeKun	DATED: 20170509	CODE:	SIZE:
CHECKED:	DATED:	DRAWING NO:	REV: A
QUALITY CONTROL:	DATED:	A2 V1.0	
RELEASED:	DATED:	SCALE:	SHEET: 5 OF 10

REVISION RECORD			
LTR	ECO NO:	APPROVED:	DATE:

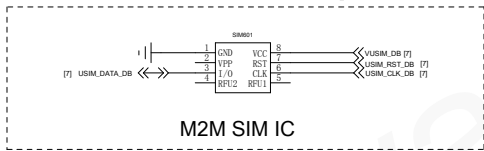
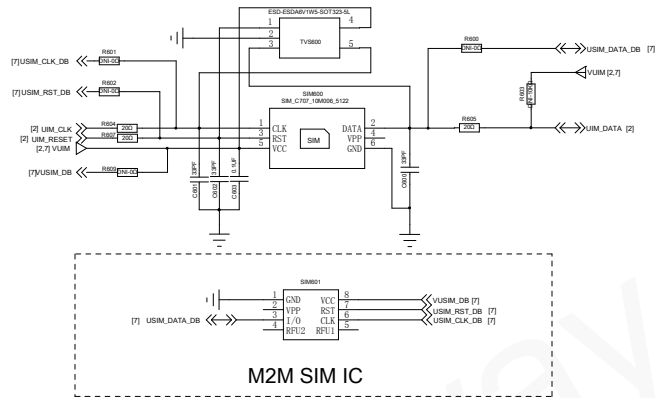


COMPANY: Neoway			
TITLE: N720 Reference Design			
CODE:	SIZE:	DRAWING NO:	REV:
	A2	V1.0	A
SCALE:			SHEET: 6 OF 10

DRAWN: HeKun	DATED: 20170509
CHECKED:	DATED:
QUALITY CONTROL:	DATED:
RELEASED:	DATED:

REVISION RECORD			
LTR	ECO NO:	APPROVED:	DATE:

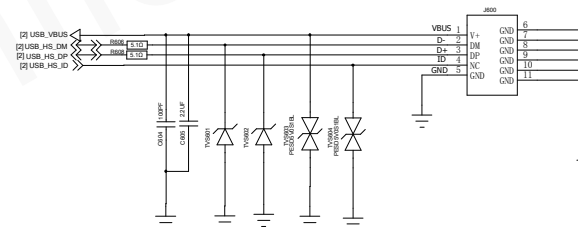
USIM



M2M SIM IC

A TVS diode is required for SIM card circuit.

USB

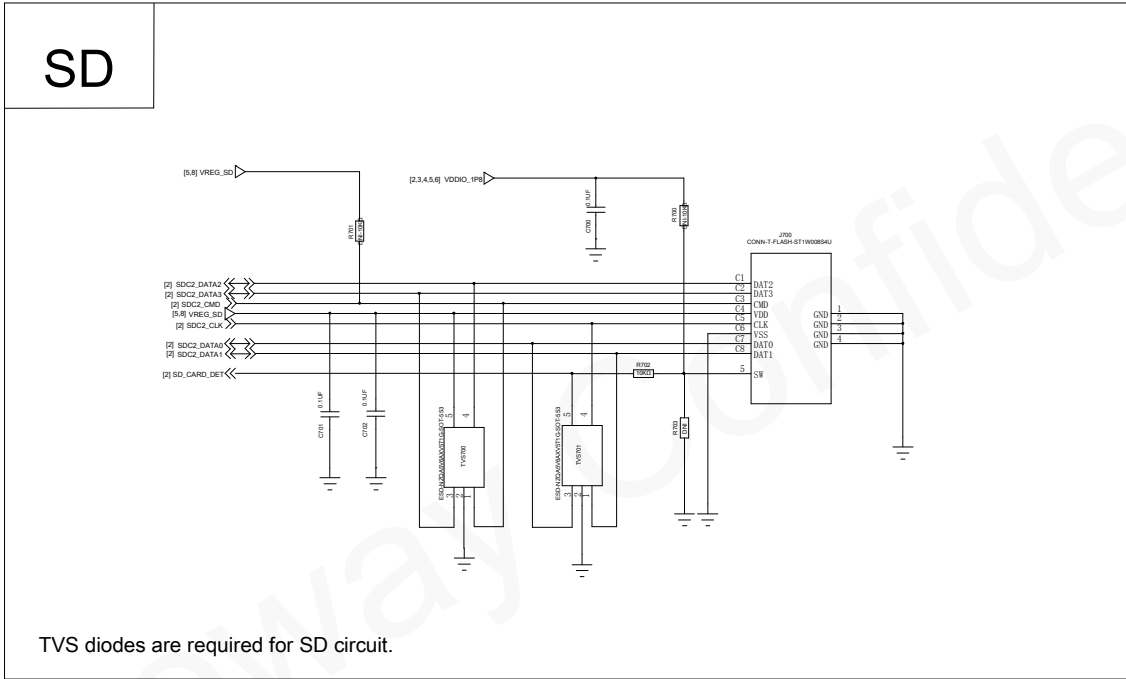


TVS diodes are required for USB circuit.

Series resistors are strongly recommended.

COMPANY: Neoway				
TITLE: N720 Reference Design				
DRAWN: HeKun	DATED: 20170509	CODE:	SIZE: A2	DRAWING NO: V1.0
CHECKED:	DATED:	RELEASER:	SCALE:	REV: A
QUALITY CONTROL:	DATED:	SHEET: 7 OF 10		

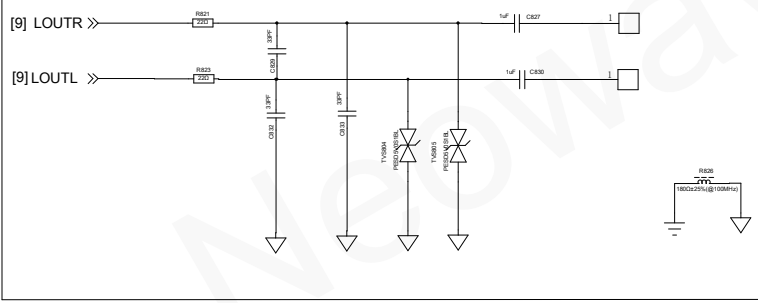
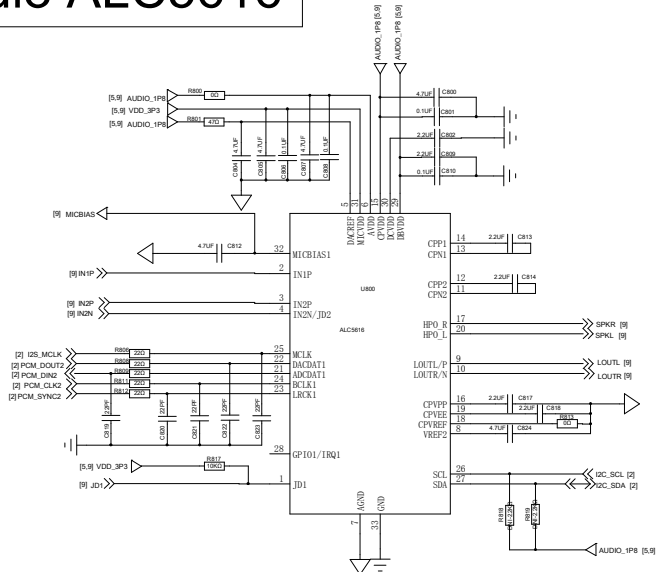
REVISION RECORD			
LTR	ECO NO:	APPROVED:	DATE:



COMPANY: Neoway				
TITLE: N720 Reference Design				
DRAWN: HeKun	DATED: 20170509	CODE:	SIZE: A2	REV: A
CHECKED:	DATED:	DRAWING NO:	V1.0	
QUALITY CONTROL:	DATED:			
RELEASED:	DATED:	SCALE:	SHEET: 8 OF 10	

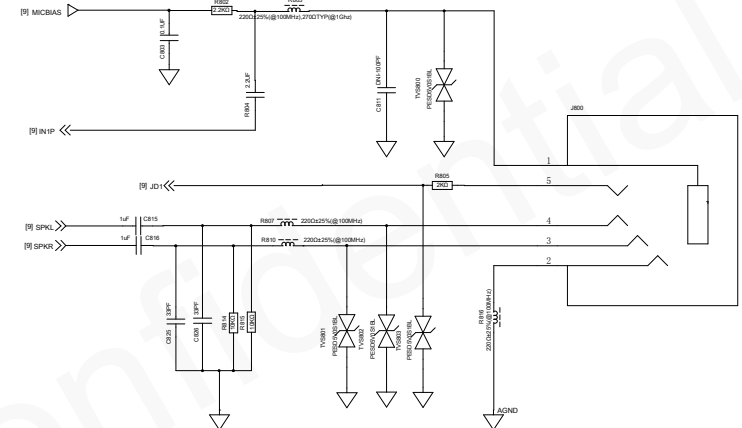
REVISION RECORD			
LTR	ECO NO:	APPROVED:	DATE:

Audio ALC5616

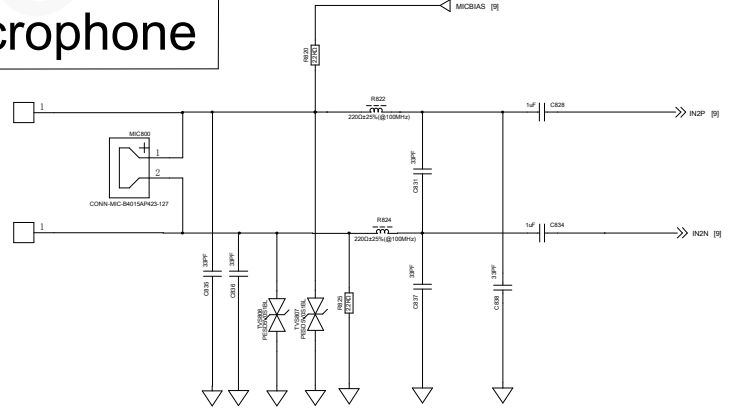


- 1. Place all by-pass capacitors close to power pins.
- 2. Separate analog and digital ground for audio design from main ground.

Headset



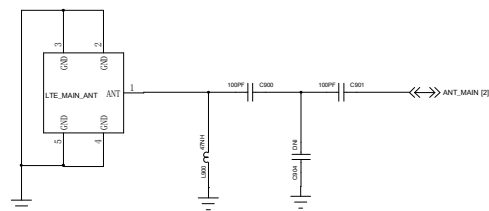
Microphone



COMPANY: Neoway				
TITLE: N720 Reference Design				
DRAWN: HeKun	DATED: 20170509	CODE:	SIZE:	DRAWING NO:
CHECKED:	DATED:	SCALE:	A2	V1.0
QUALITY CONTROL:	DATED:	SCALE:		A
RELEASED:	DATED:	SCALE:		

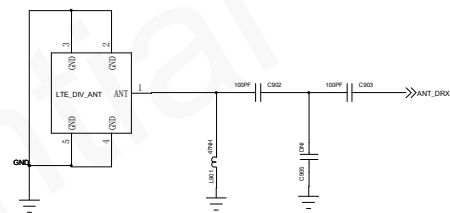
REVISION RECORD			
LTR	ECO NO:	APPROVED:	DATE:

Main Antenna



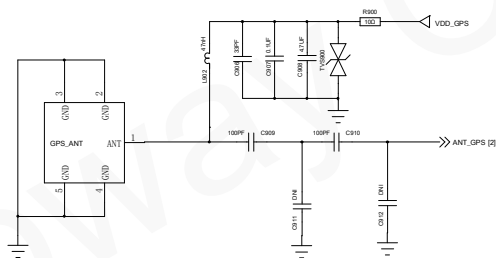
C904 are reserved for impedance matching

Diversity Antenna



C905 are reserved for impedance matching

GPS Antenna



1. If an active antenna is used in the design, an external power supply is required for GPS. The recommended voltage is 3.3V.
2. If a passive antenna is used in the design, delete L902.
3. C911 and C912 are reserved for impedance matching.

COMPANY: Neoway

TITLE: N720 Reference Design

DRAWN:	HeKun	DATED:	20170509
CHECKED:		DATED:	
QUALITY CONTROL:		DATED:	
RELEASED:		DATED:	

CODE:	SIZE:	DRAWING NO:	REV:
	A2	V1.0	A