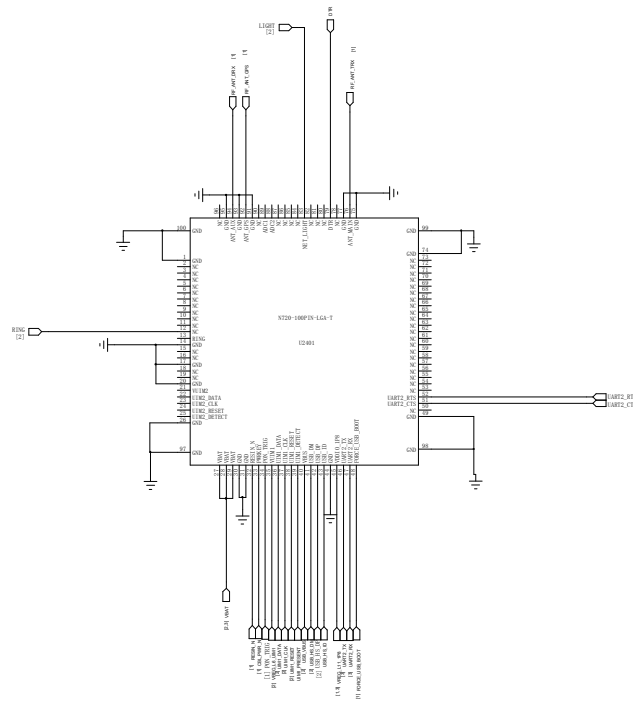
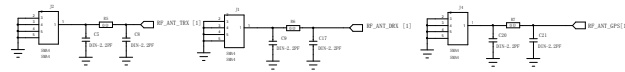


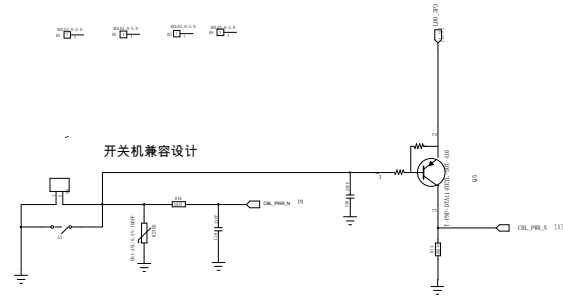
REVISION RECORD			
NO.	REV. NO.	APPROVED	DATE



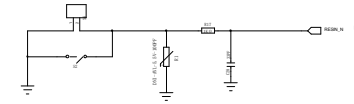
MARK&HOLE



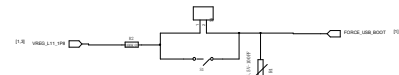
开关机兼容设计



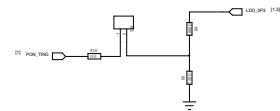
复位



POWER\_LED\_BOOT



LED\_SPS



COMPANY:			
TITLE:			
DESIGN:	DRAWN:	DRAWING NO:	
CHECKED:	DATED:	D	REV:
QUALITY CONTROL:	DATED:		
RELEASED:	DATED:	SCALE:	SHEET: 1 OF 3

6

5

4

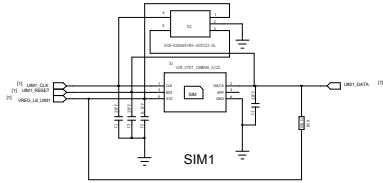
3

2

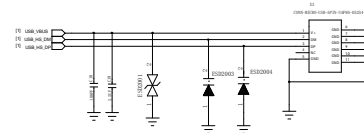
1

REVISION RECORD			
ITER	REV NO.	APPROVED	DATE

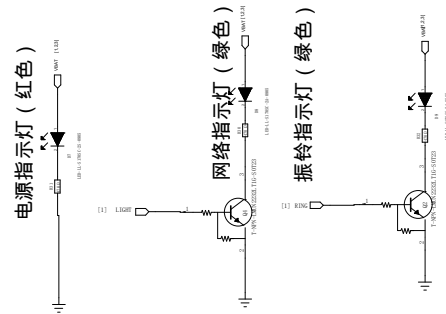
SIM 1



USB设计

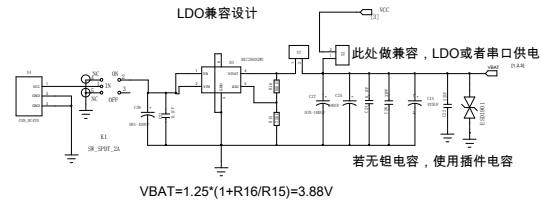


指示灯

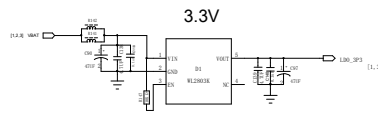
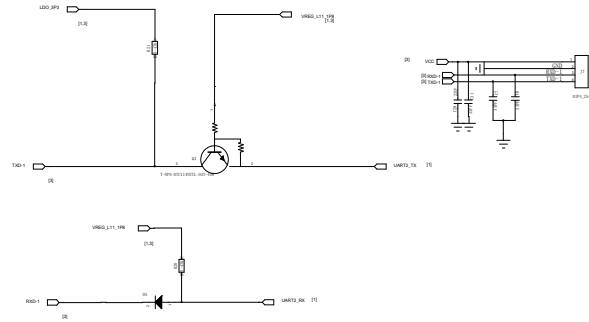


COMPANY:			
TITLE:			
DESIGN:	DATE:	DRAWING NO:	
CHECKED:	DATE:	D	REV:
QUALITY CONTROL:	DATE:	SCALE:	
RELEASED:	DATE:	SHEET: 2 OF 3	

REVISION RECORD			
ITER	REV NO.	APPROVED	DATE



串口2电平转换



COMPANY:			
TITLE:			
DESIGN:	DRAWN:	DRAWING NO:	
CHECKED:	DATE:	D	REV:
QUALITY CONTROL:	DATE:		
RELEASED:	DATE:	SCALE:	SHEET: 3 OF 3