

# High Frequency Ceramic Solutions

**Low Pass Filter, 2.4GHz. Mini EIA 0402, SMD low loss for Bluetooth (BLE), IoT, WiFi, V2X, Wearables, ISM, etc.**

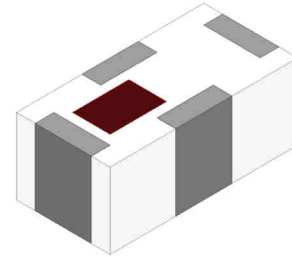
**1/N 2450LP07C0100**

Detail Specification: 11/15/2017

Page 1 of 3

Automotive AEC-Q200 available by request:

General Specifications	
Frequency (MHz)	2400 - 2500
Insertion Loss (dB)	0.4 typ (0.6max @25C, 0.7max @-40to+85)
Return Loss (dB)	11 typ. (9.5 min.)
Attenuation (dB)	34 dB @ 2 x fo
Attenuation (dB)	35 dB @ 3 x fo
Power Capacity (W)	3W max. (CW)
Operating Temperature	-40 to +85°C
Storage Temperature	-40 to +85°C
Recommended Storage Conditions (unused product still in T&R)	+5 ~ +35 °C, Humidity 45~75%RH

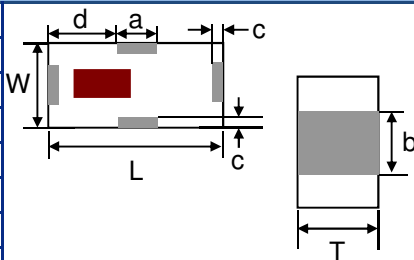


## Part Number Explanation

P/N Suffix	Packing Style	Bulk	Suffix = S	2450LP07C0100S
		T & R (10K/reel)	Suffix = T	2450LP07C0100T (Reel Size: 10,000pcs)
	Termination style	100% Tin	Suffix = None	2450LP07C0100(T or S)
	50Ω SMA Connector Eval Board	2450LP07C0100-EB1SMA (orderable p/n)		

## Mechanical Dimensions

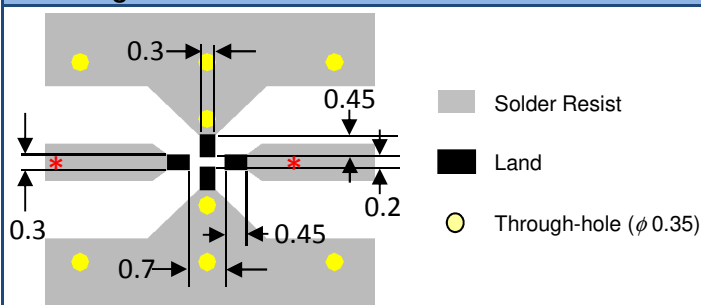
	In	mm
L	0.039 ± 0.002	1.00 ± 0.05
W	0.020 ± 0.002	0.50 ± 0.05
T	0.016 max.	0.40 max.
a	0.012 ± 0.004	0.30 ± 0.10
b	0.012 ± 0.004	0.30 ± 0.10
c	0.004 ± 0.002	0.10 ± 0.05
d	0.014 ± 0.004	0.35 ± 0.10



## Terminal Configuration

1	GND
2	IN/OUT
3	GND
4	IN/OUT

## Mounting Considerations



\*Trace must be designed to a 50Ω characteristic impedance based on PCB material and thickness.

Want the layout file or need us to revise your layout (free!) to make sure is correct? Send us a message at:

[www.johansontechnology.com/ask-a-question](http://www.johansontechnology.com/ask-a-question)

Johanson Technology, Inc. reserves the right to make design changes without notice.

All sales are subject to Johanson Technology, Inc. terms and conditions.



4001 Calle Tecate • Camarillo, CA 93012 • TEL 805.389.1166 FAX 805.389.1821

Ver. 1.0

2017 Johanson Technology, Inc. All Rights Reserved

[www.johansontechnology.com](http://www.johansontechnology.com)

# High Frequency Ceramic Solutions

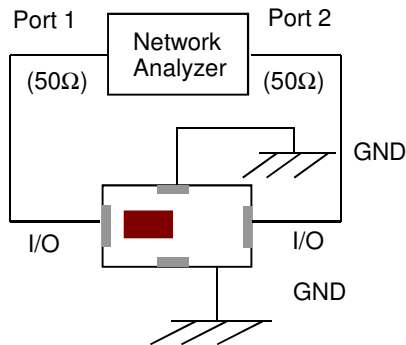
Low Pass Filter, 2.4GHz. Mini EIA 0402, SMD low loss for  
Bluetooth (BLE), IoT, WiFi, V2X, Wearables, ISM, etc.

1/N 2450LP07C0100

Detail Specification: 11/15/2017

Page 2 of 3

## Measuring Diagram

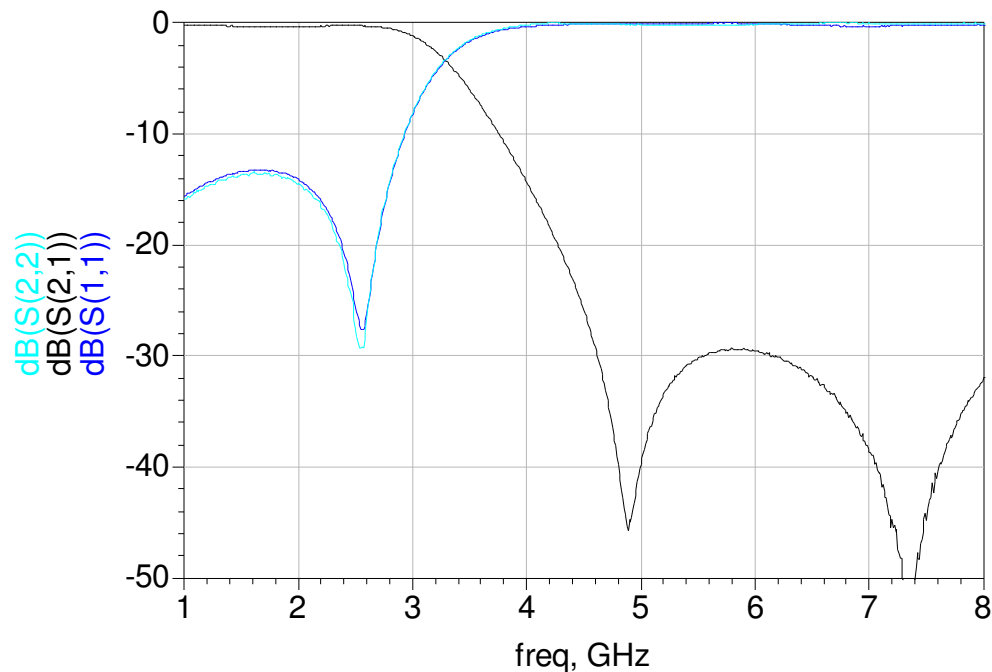


Click here Order the SMA-ready Evaluation Board with this filter mounted, p/n is: 2450LP07C0100-EB1SMA

[www.johansontechnology.com/request-a-](http://www.johansontechnology.com/request-a-)

## Typical Electrical Performance (T=25°C)

### Insertion Loss & Attenuation



Johanson Technology, Inc. reserves the right to make design changes without notice.  
All sales are subject to Johanson Technology, Inc. terms and conditions.



4001 Calle Tecate • Camarillo, CA 93012 • TEL 805.389.1166 FAX 805.389.1821  
Ver. 1.0

[www.johansontechnology.com](http://www.johansontechnology.com)

2017 Johanson Technology, Inc. All Rights Reserved

# High Frequency Ceramic Solutions

**Low Pass Filter, 2.4GHz. Mini EIA 0402, SMD low loss for  
Bluetooth (BLE), IoT, WiFi, V2X, Wearables, ISM, etc.**

**1/N 2450LP07C0100**

Detail Specification: 11/15/2017

Page 3 of 3

## Low-pass Filters

[www.johansontechnology.com/low-pass-filters](http://www.johansontechnology.com/low-pass-filters)

## Packaging Information

[www.johansontechnology.com/tape-reel-packaging](http://www.johansontechnology.com/tape-reel-packaging)

## Soldering Information

[www.johansontechnology.com/typical-soldering-profile](http://www.johansontechnology.com/typical-soldering-profile)

## RoHS Compliance

[www.johansontechnology.com/rohs-compliance](http://www.johansontechnology.com/rohs-compliance)

## MSL Info

[www.johansontechnology.com/msl-rating](http://www.johansontechnology.com/msl-rating)

## To Download Measured S-parameters for Evaluation and Simulation:

[www.johansontechnology.com/low-pass-filters](http://www.johansontechnology.com/low-pass-filters)

## For layout review contact our Applications Team at:

[www.johansontechnology.com/ask-a-question](http://www.johansontechnology.com/ask-a-question)

Johanson Technology, Inc. reserves the right to make design changes without notice.  
All sales are subject to Johanson Technology, Inc. terms and conditions.



[www.johansontechnology.com](http://www.johansontechnology.com)  
4001 Calle Tecate • Camarillo, CA 93012 • TEL 805.389.1166 FAX 805.389.1821  
Ver. 1.0

2017 Johanson Technology, Inc. All Rights Reserved