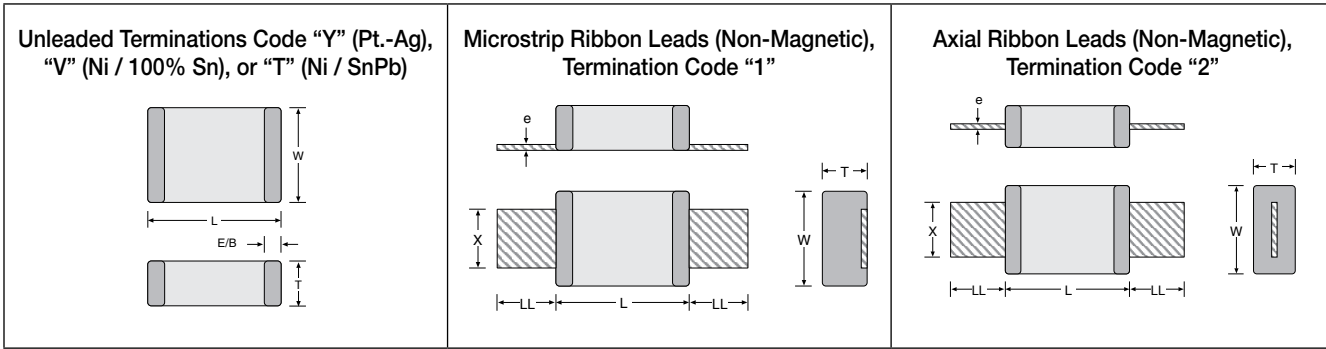


E-SERIES LEAD STYLE SELECTION



| Lead | Size | Units | L | Tol | W | Tol | T | E / B |
|---------|------|-------|-------|---------------|-------|----------|------------|------------|
| Y, V, T | S42E | In | 0.110 | +0.020 -0.010 | 0.110 | +/- .020 | 0.102 Max. | 0.015 Typ. |
| | | mm | 2.79 | +0.51 -0.25 | 2.79 | +/- 0.51 | 2.59 Max. | 0.38 Typ. |
| | S48E | In | 0.230 | +0.025 -0.010 | 0.250 | +/- .015 | 0.150 Max. | 0.025 Typ. |
| | | mm | 5.84 | +0.63 -0.25 | 6.35 | +/- 0.38 | 3.81 Max. | 0.63 Typ. |
| | S58E | In | 0.380 | +0.015 -0.010 | 0.380 | +/- .010 | 0.170 Max. | 0.025 Typ. |
| | | mm | 9.65 | +0.38 -0.25 | 9.65 | +/- 0.25 | 4.32 Max. | 0.63 Typ. |

For all E-Series Models:

OPERATING TEMP. :

-55 to +125°C

INSULATION RESISTANCE:

>1000 ΩF or >10 GΩ, whichever is less @ 25°C WVDC

TEMPERATURE COEFFICIENT:

0 ± 30ppm /°C, -55 to 125°C

DISSIPATION FACTOR (TYP):

< 0.05% @ 1 MHz

| Lead | Size | Units | L | Tol | W | Tol | T (max) | E/B (typ) | LL(min) | X | Tol | e | Tol |
|------|------|-------|-------|------------------|-------|-----------|---------|-----------|---------|-------|-----------|-------|-----------|
| 1 | S42E | In | 0.135 | +/- .015 | 0.110 | +/- .020 | 0.120 | 0.015 | 0.25 | 0.093 | +/-0.005 | 0.004 | +/- 0.001 |
| | | mm | 3.43 | +/- 0.38 | 2.79 | +/- 0.51 | 3.05 | 0.38 | 6.35 | 2.36 | +/- 0.13 | 0.102 | +/- 0.025 |
| | S48E | In | 0.245 | +/- 0.025 | 0.250 | +/- 0.015 | 0.160 | 0.025 | 0.50 | 0.240 | +/- 0.005 | 0.004 | +/- 0.001 |
| | | mm | 6.22 | +/- 0.64 | 6.35 | +/-0.38 | 3.81 | 0.63 | 12.7 | 6.10 | +/- 0.13 | 0.102 | +/- 0.025 |
| | S58E | In | 0.38 | +0.035 / - 0.010 | 0.38 | +/- 0.010 | 0.170 | 0.04 MAX. | 0.750 | 0.35 | +/- 0.010 | 0.010 | +/- 0.005 |
| | | mm | 9.65 | +0.89 / -0.25 | 9.65 | +/- 0.25 | 4.32 | 1.02 MAX. | 19.05 | 8.89 | +/- 0.25 | 0.25 | +/- 0.13 |
| 2 | S42E | In | 0.135 | +/- .015 | 0.110 | +/- .020 | 0.102 | 0.015 | 0.25 | 0.093 | +/-0.005 | 0.004 | +/- 0.001 |
| | | mm | 3.43 | +/- 0.38 | 2.79 | +/- 0.51 | 2.59 | 0.38 | 6.35 | 2.36 | +/- 0.13 | 0.102 | +/- 0.025 |
| | S48E | In | 0.245 | +/- 0.025 | 0.250 | +/- 0.015 | 0.160 | 0.025 | 0.50 | 0.240 | +/- 0.005 | 0.004 | +/- 0.001 |
| | | mm | 6.22 | +/- 0.64 | 6.35 | +/-0.38 | 3.81 | 0.63 | 12.7 | 6.10 | +/- 0.13 | 0.102 | +/- 0.025 |
| | S58E | In | 0.38 | +0.035 / - 0.010 | 0.38 | +/- 0.010 | 0.170 | 0.04 MAX. | 0.750 | 0.35 | +/- 0.010 | 0.010 | +/- 0.005 |
| | | mm | 9.65 | +0.89 / -0.25 | 9.65 | +/- 0.25 | 4.32 | 1.02 MAX. | 19.05 | 8.89 | +/- 0.25 | 0.25 | +/- 0.13 |