

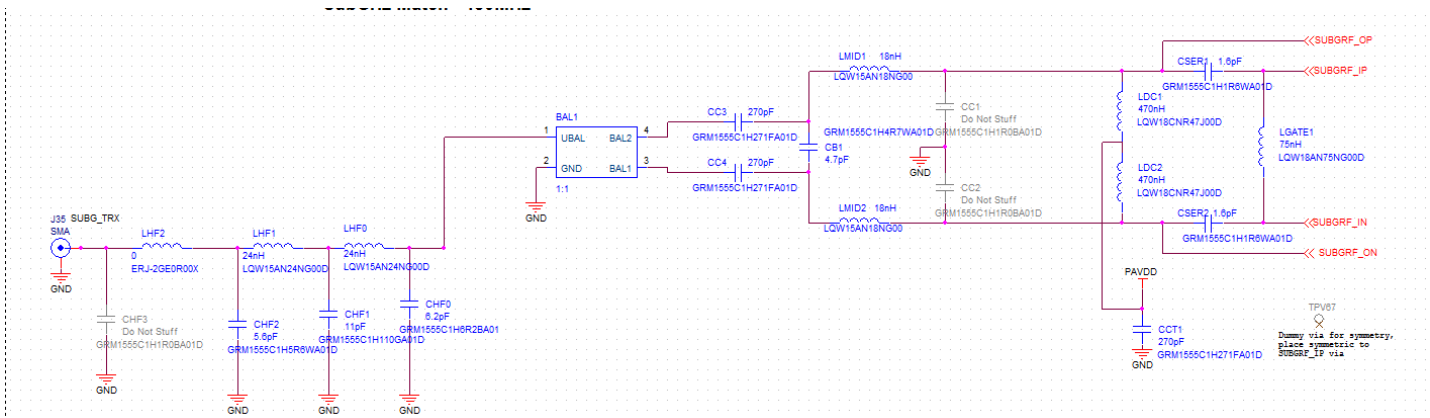
# AN1146: Johanson 434 MHz IPDs for EFR32 Wireless SOCs

EFR32 devices supporting sub-GHz frequency bands utilize an external matching network. This network serves several purposes, including impedance transformation from a 50 Ω antenna to the optimum transmit and receive path impedance for EFR32, single-ended to differential conversion, and low-pass filtering to minimize transmit harmonics and receive out-of-band interference. This network is often implemented by discrete components as shown below.

Some applications, however, benefit in terms of minimized space, bill of materials, and reduced complexity by integrating this external network in a single integrated passive device (IPD).

## KEY POINTS

- IPDs simplify the EFR32 sub-GHz RF matching network design, reducing complexity and PCB board space by 70%
- IPDs are available from leading RF ceramics providers supporting both the 434 MHz and 868 MHz frequency bands
- Including IPDs in EFR32 designs is made straightforward with a few hardware and software design considerations



## 1. Component Reduction

A reduction in the number of matching components is desirable not only to reduce material cost but also the cost of inventory, assembly, and testing. Additionally, a smaller number of parts allows a smaller board area, which also decreases total cost. Silicon Labs has partnered with Johanson to develop an Integrated Passive Device (IPD) that implements a complete 868 MHz +14 dBm RF matching network within a single small surface mount ceramic package. Using a proprietary Low Temperature Co-Fired ceramic (LTCC) process, Johanson has successfully integrated all the required discrete matching components. The RF matching network on the front page is now highly simplified, as shown below.

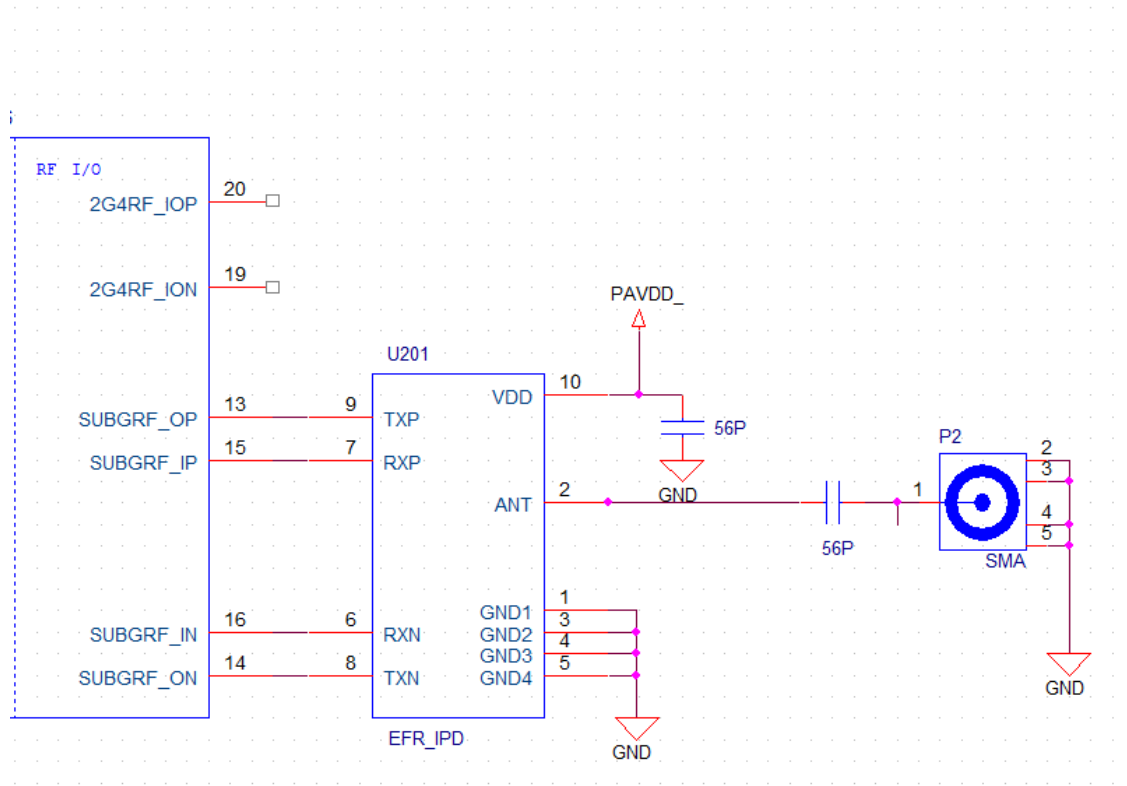
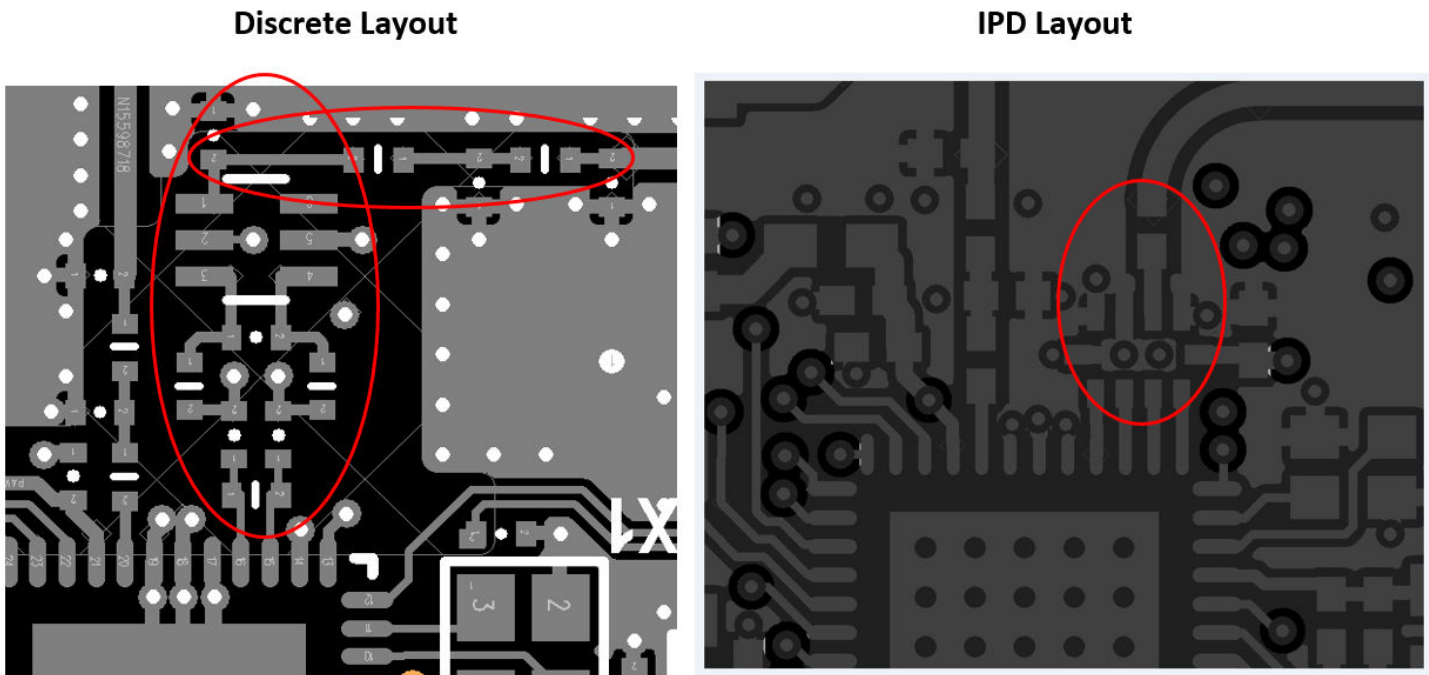


Figure 1.1. IPD RF Matching Network

## 2. PCB Space Comparison

An IPD solution also significantly reduces the PCB area. A comparison between a layout using discrete components and one using an IPD solution is shown in figure below. The red circles highlight the PCB space savings when using the IPD solution.



**Figure 2.1. Layout Comparison between Discrete Solution (Left) and IPD Solution (Right)**

The Johanson part number for the 434 MHz solution is 0434BM15B0027 and is suitable for use at 434 MHz at  $\sim +14$  dBm output power with the following RFICs from Silicon Laboratories.

- EFR32MG1x
- EFR32BG1x
- EFR32FG1x

Reference design collateral (e.g., schematics, board design files, gerbers and BOM lists) for the Johanson device can be downloaded from the Silicon Laboratories website.

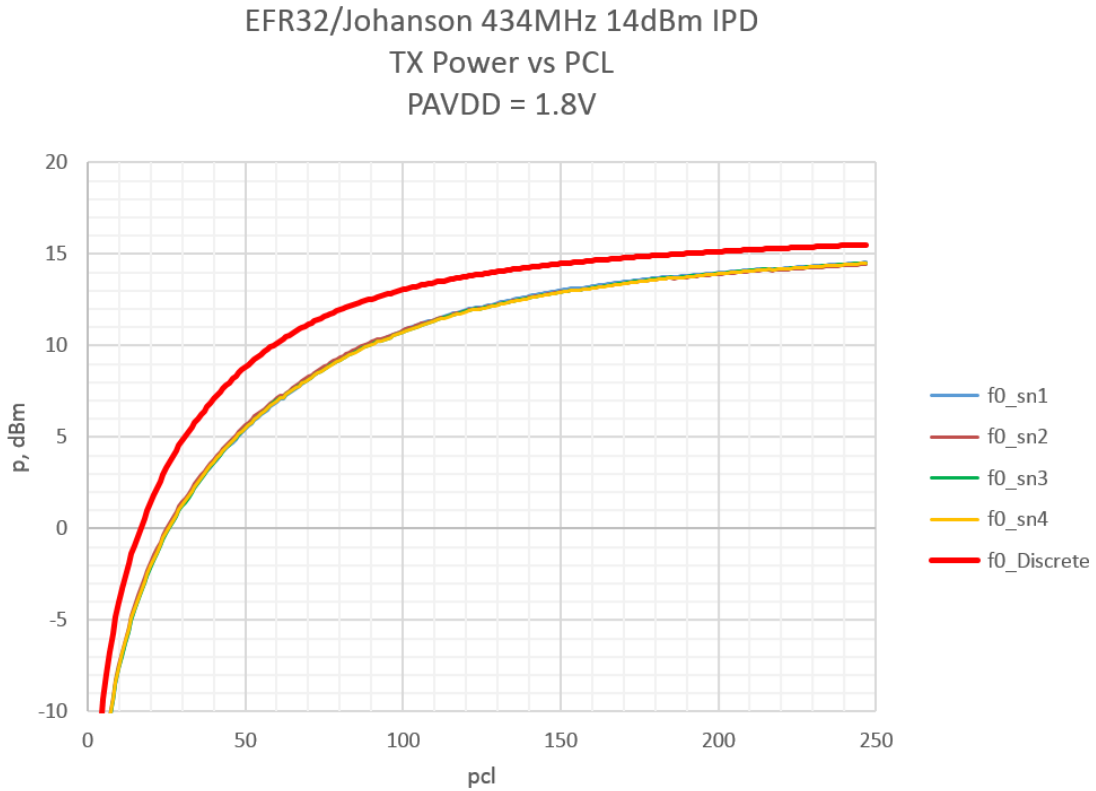
The data sheet for the Johanson 0434BM15B0027 device may be downloaded at <https://www.johansontechnology.com/silabs> or <https://www.johansontechnology.com/datasheets/chipset-specific/0434BM15B0027.pdf>.

### 3. Measured Performance

Silicon Laboratories has performed extensive testing of reference design boards with the Johanson IPDs to characterize the performance in comparison to the discrete solution. The results are shown below.

#### 3.1 Transmit Output Power vs. PA Power Control Level

The conducted Transmit Output Power of four Johanson IPDs (matched boards) is compared against a discrete match solution in the figure below.



**Figure 3.1. Conducted Transmit Output Power (Four Johanson Boards vs. Discrete Matched Solution)**

### 3.2 Transmit Current Consumption vs. PA Control Level

The Conducted Transmit Current of four Johanson IPDs (matched boards) is shown below compared against a discrete match solution.

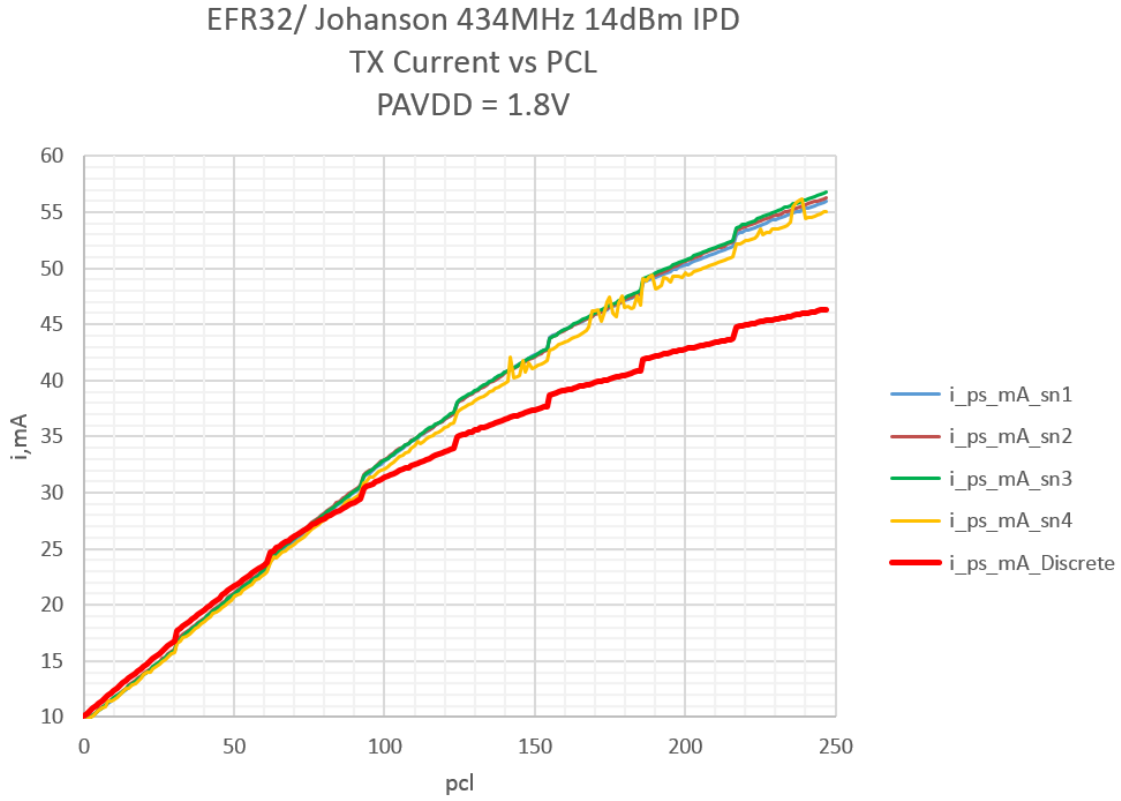


Figure 3.2. Conducted Transmit Current of Four Johanson IPDs (Matched Boards)

### 3.3 Transmit Power, Second Harmonic Performance vs. PA Control Level

The Conducted Transmit second harmonic Performance of four Johanson IPDs (matched boards) is shown below compared with that of the discrete matched solution.

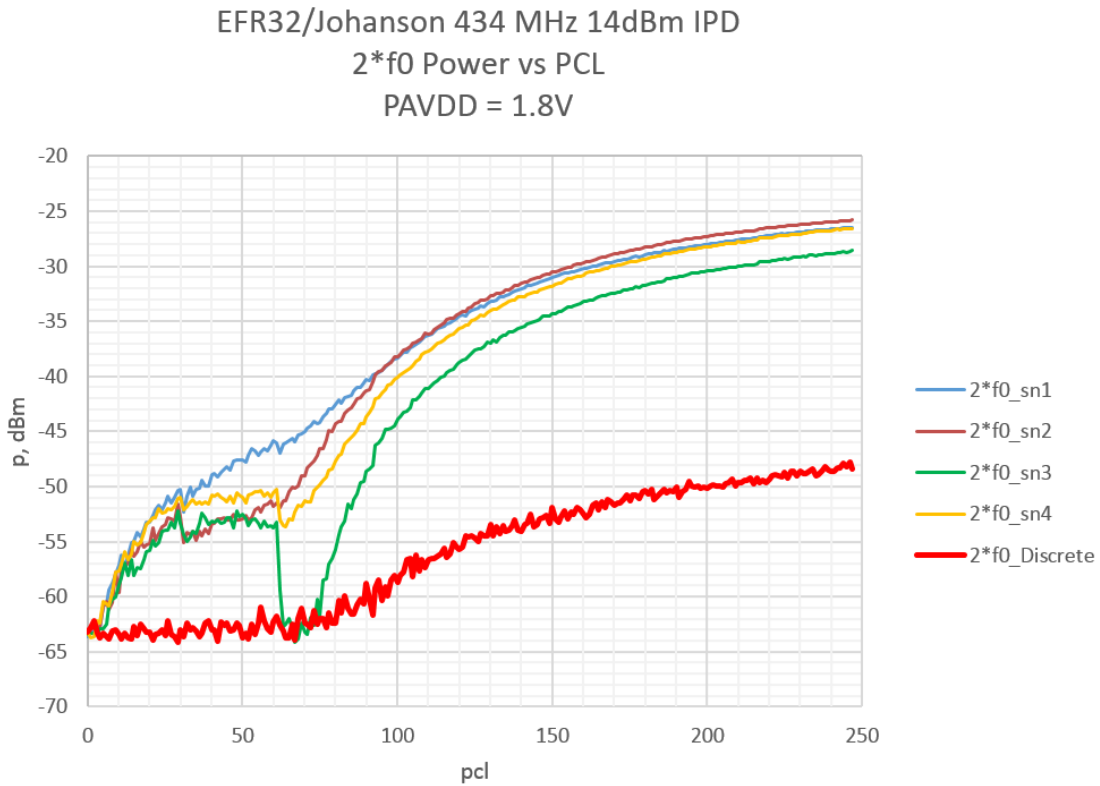


Figure 3.3. Conducted Transmit Second Harmonic Performance of Four Johanson IPDs (Matched Boards)

### 3.4 Transmit Power, Third Harmonic Performance vs. PA Control Level

The Conducted Transmit third harmonic Performance of four Johanson IPDs (matched boards) is shown below compared with that of the discrete matched solution.

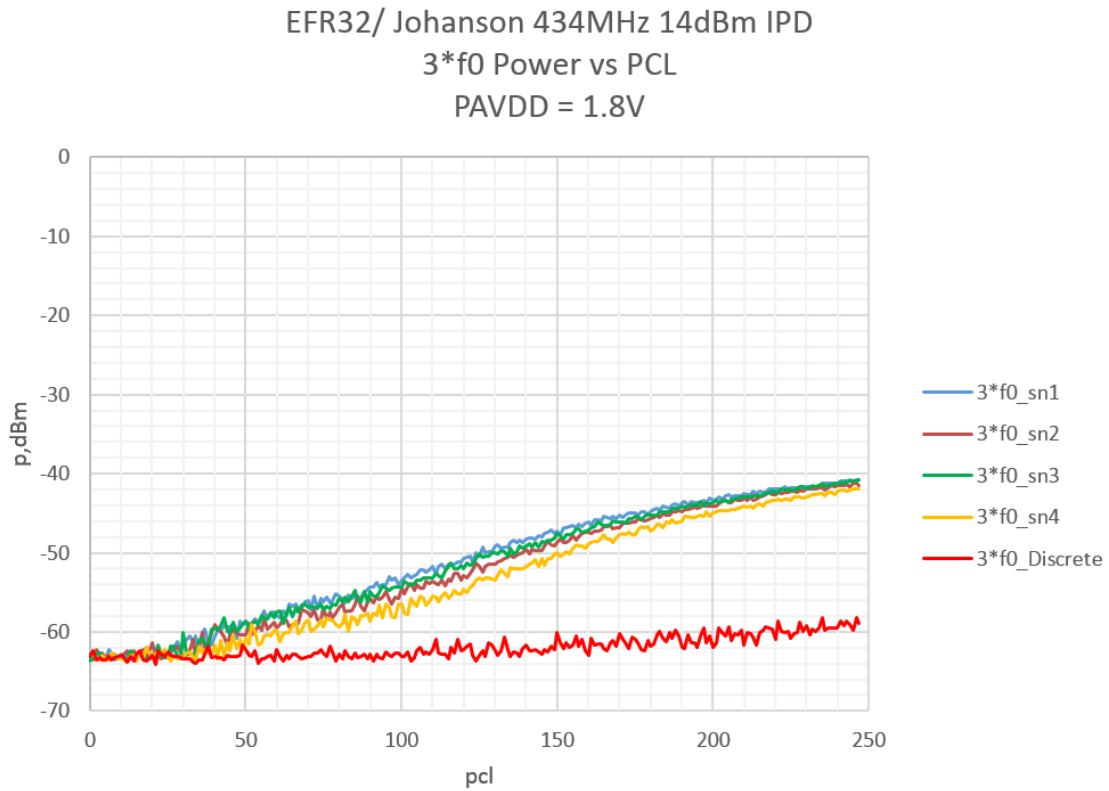


Figure 3.4. Conducted Transmit Third Harmonic Performance of Four Johanson IPDs (Matched Boards)

### 3.5 Receiver Packet Error Rate Performance at 434 MHz

The RX Packet Error Rate (PER) for a 62.5 kbps GFSK signal is shown below for four IPDs (matched boards) compared to that of the discrete matched solution.

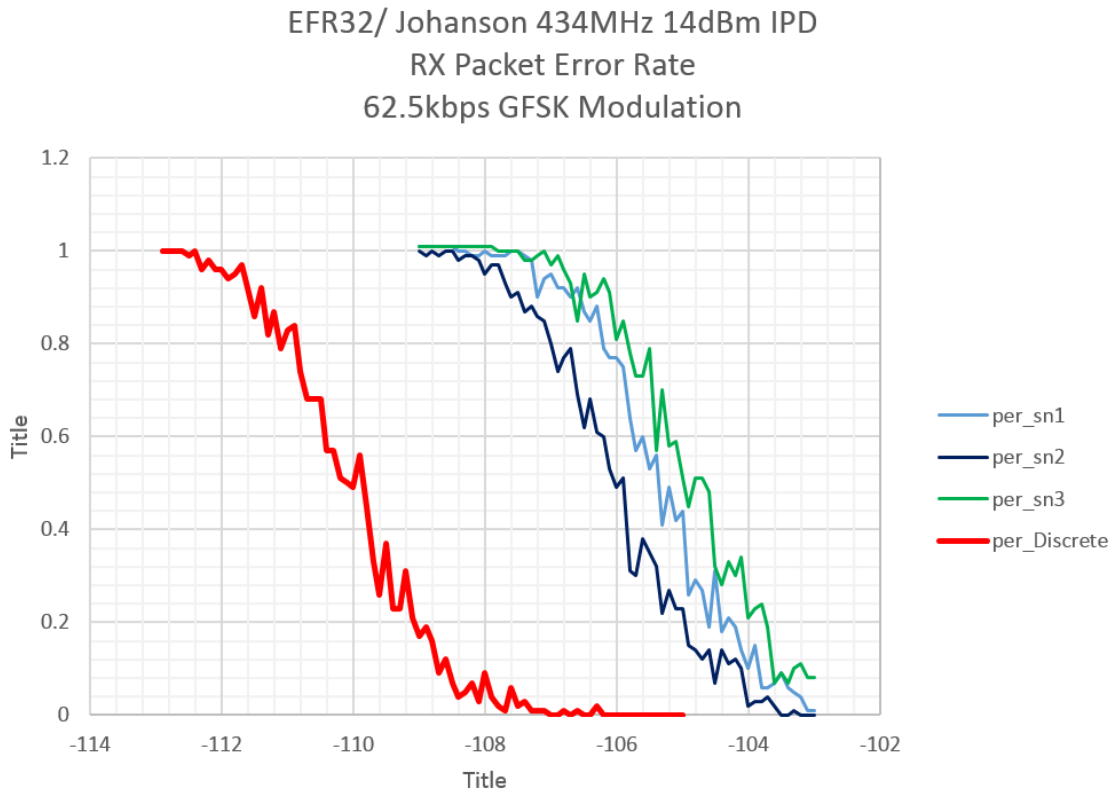
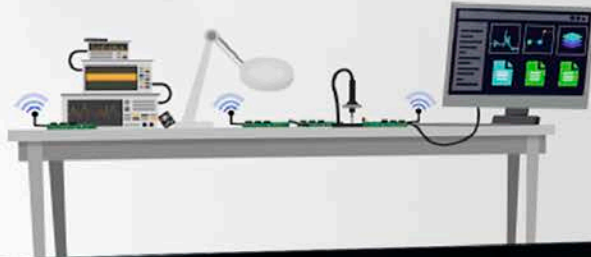


Figure 3.5. Receiver Packet Error Rate



Silicon Labs

# Simplicity Studio™4



## Simplicity Studio

One-click access to MCU and wireless tools, documentation, software, source code libraries & more. Available for Windows, Mac and Linux!



**IoT Portfolio**  
[www.silabs.com/IoT](http://www.silabs.com/IoT)



**SW/HW**  
[www.silabs.com/simplicity](http://www.silabs.com/simplicity)



**Quality**  
[www.silabs.com/quality](http://www.silabs.com/quality)



**Support and Community**  
[community.silabs.com](http://community.silabs.com)

### Disclaimer

Silicon Labs intends to provide customers with the latest, accurate, and in-depth documentation of all peripherals and modules available for system and software implementers using or intending to use the Silicon Labs products. Characterization data, available modules and peripherals, memory sizes and memory addresses refer to each specific device, and "Typical" parameters provided can and do vary in different applications. Application examples described herein are for illustrative purposes only. Silicon Labs reserves the right to make changes without further notice and limitation to product information, specifications, and descriptions herein, and does not give warranties as to the accuracy or completeness of the included information. Silicon Labs shall have no liability for the consequences of use of the information supplied herein. This document does not imply or express copyright licenses granted hereunder to design or fabricate any integrated circuits. The products are not designed or authorized to be used within any Life Support System without the specific written consent of Silicon Labs. A "Life Support System" is any product or system intended to support or sustain life and/or health, which, if it fails, can be reasonably expected to result in significant personal injury or death. Silicon Labs products are not designed or authorized for military applications. Silicon Labs products shall under no circumstances be used in weapons of mass destruction including (but not limited to) nuclear, biological or chemical weapons, or missiles capable of delivering such weapons.

### Trademark Information

Silicon Laboratories Inc.®, Silicon Laboratories®, Silicon Labs®, SiLabs® and the Silicon Labs logo®, Bluegiga®, Bluegiga Logo®, Clockbuilder®, CMEMS®, DSPLL®, EFM®, EFM32®, EFR®, Ember®, Energy Micro, Energy Micro logo and combinations thereof, "the world's most energy friendly microcontrollers", Ember®, EZLink®, EZRadio®, EZRadioPRO®, Gecko®, ISOModem®, Micrium, Precision32®, ProSLIC®, Simplicity Studio®, SiPHY®, Telegesis, the Telegesis Logo®, USBXpress®, Zentri, Z-Wave, and others are trademarks or registered trademarks of Silicon Labs. ARM, CORTEX, Cortex-M3 and THUMB are trademarks or registered trademarks of ARM Holdings. Keil is a registered trademark of ARM Limited. All other products or brand names mentioned herein are trademarks of their respective holders.



**SILICON LABS**

Silicon Laboratories Inc.  
400 West Cesar Chavez  
Austin, TX 78701  
USA

<http://www.silabs.com>